



Innovator In Spectroscopy Equipment

# LFOUT2037



## LINEAR FANOUT MODEL LFOUT2037

www.cfp.co.ir



CATALOG



NIM MODULES



FREE DOWNLOAD

## LINEAR FANOUT MODEL LFOUT2037

### Features

- DC-coupled
- Dual in quad linear
- DC offset adjustable
- Fan-out linear or logic input
- Fully bipolar operation to  $\pm 1.65V$
- Integral, normal, and window modes
- Separate lower-level and upper-level discriminator outputs
- High stability
- Splash resistant design
- Excellent temperature stability
- Wide operational temperature range
- Ultra reliable industry standard design
- Being robust and suitable for use in challenging conditions



**FULLY BIPOLAR  
OPERATION TO  $\pm 1.65V$   
& INTEGRAL, NORMAL AND  
WINDOW MODES**

## Description

The LFOUT2037 from Control Farayand Pasargad (CFP) is a high-performance, economical, linear fan-out unit suitable for use with either logic or photomultiplier pulses. It offers two independent wide bandwidth channels, each having unity gain and each having one input and four isolated identical outputs. These two channels may be combined at their inputs with T BNC type connector to provide a single 8-output channel. The LFOUT2037 utilizes a direct-coupled, feedback stabilized circuit design that provides excellent linearity, long-term stability and uniformity of gain and pulse shape at all outputs. The speed of the unit is adequate for most common photomultiplier pulses and logic signals and there are no duty cycle restrictions or rate effects. Both input and output DC levels are at ground potential for easy interconnection with other direct-coupled circuits. Fully dc coupled.

## Specifications

### Input(s)

#### Input power

LFOUT2037 powered from a standard NIM bin and power supply.

#### INPUT (A & B)

Front-panel one BNC input connector per channel; bipolar input, accepts positive or negative voltages.

Impedance: 50W  $\pm$  2% direct coupled input.

Overdrive response: recovery time of 20ns for a  $\pm$ 10V input.

Maximum amplitude: -1.6V into 50W; -3V into open circuit, positive.

### Output(s)

#### OUTPUTS (1-2 and 3-4)

Front-panel 4 direct-coupled. 50W output impedance

### Control(s)

#### OFF ADJ

Front panel 2 dc offset adjust in  $\pm$ 100mV

### Indicator(s)

No indicator

### Performance

#### Gain range

Fixed gain of 1.0  $\pm$ 5%, non-inverting

#### Stage delay

< 5nsec

#### Maximum rate

> 100MHz

#### Offset control

-150mV  $\sim$  150mV

#### Noise

< 5mV

#### Dynamic range

200:1

#### Rise time

Typically, 5ns, for a 1V output excursion

#### Insertion delay

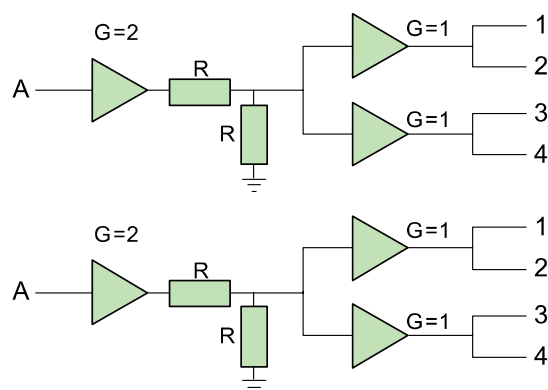
Typically, 10ns

#### Temperature instability gain

$\pm$ 0.01%/°C, 0 to 50°C

## Application

- Scientific
- spectroscopy
- General laboratory usage





**Electrical and Mechanical**

**Unit: LFOUT2037**

Version type	NPHV2039-PRO	NPHV2039A-PRO	NPHV2039B-PRO	NPHV2039C-PRO	NPHV2039D-PRO	NPHV2039E-PRO
--------------	--------------	---------------	---------------	---------------	---------------	---------------

**Electrical**

Power required	Its power from a NIM bin power supply. Required dc voltages and currents are +12V, 120mA and -12V, 120mA.
----------------	---

**Physical**

Dimensions (L x W x H)	220mm x 34mm x 248mm (L x W x H)
Weight	0.420kg

Mechanical

Unit: mm

**Environmental**





Storage temperature	- 40°C to + 85°C
Operating temperature	0°C to +50°C
Relative humidity	< 80%

**Software and user interface**

The device doesn't have any software

## Ordering info


### LFOUT2037 Standard package includes

Part #	Image	Description
LFOUT2037 main		Linear fan-out model LFOUT2037
ACCE2037001		CD user guide (1 Pack)
ACCE2037002		Box with foam insert
ACCE2037003*		Guaranty (one year)

\* =we stand behind our products. We guarantee your satisfaction in the quality of our instruments by providing a complete one-year warranty covering any defect of workmanship, material, and/or design. If our products do not perform, we will provide complete repair and/or replacement. for guaranty conditions, please refer to manual device (LFOUT2037- Manual)

## Optional accessories and services

Part #	Image	Description
ACCE2037004		Installation
ACCE2037005		Training
ACCE2037006**		Re-calibration (interval) services. 1year factory maintenance suggested, not required
ACCE2037011		BNC terminator 50Ω
ACCE2037012		RG58A/U, 50Ω cable with two BNC male plugs
ACCE2037013		Conn housing plug 50POS AMP connectors
ACCE2037014		Conn pin hood int 50pos panel MT
ACCE2037015		Guide pin 4-40
ACCE2037016		TE connectivity AMP connectors multimate, type II series pin
ACCE2037017		Bin guide pin

ACCE2037018		Guide socket
-------------	---	--------------

\*\* = The proper maintenance & calibration of your instruments is critical to ensure proper performance & accuracy. for Re-calibration (interval) services, please call with CFP company





Innovator in Spectroscopy Equipment

[www.cfp.co.ir](http://www.cfp.co.ir)